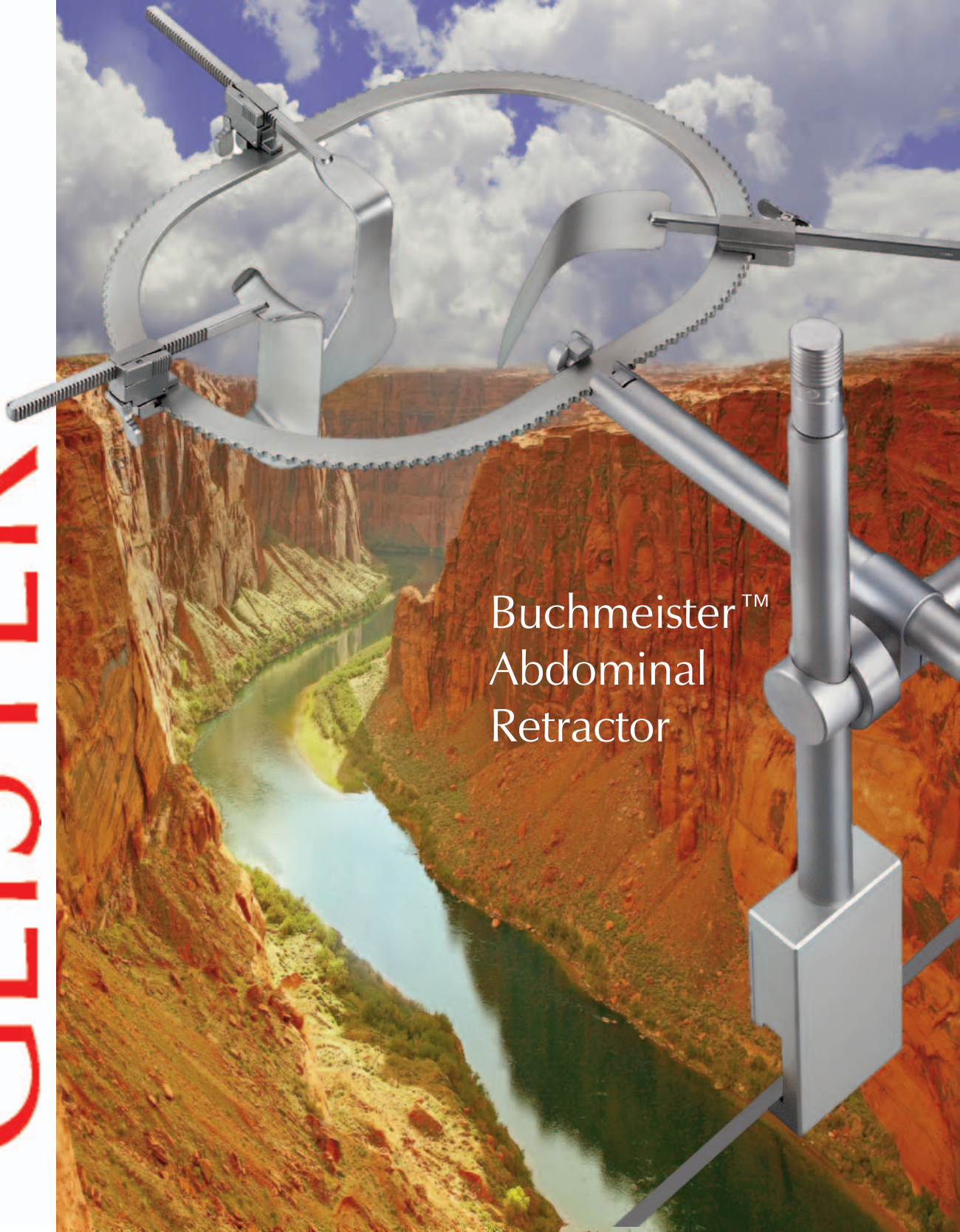


GEISTER®

The better way to operate™



Buchmeister™  
Abdominal  
Retractor

GEISTER



30-3132



30-3102



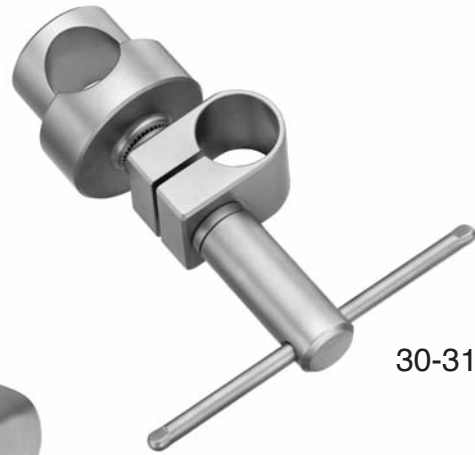
30-3131



30-3130



30-3129



30-3104



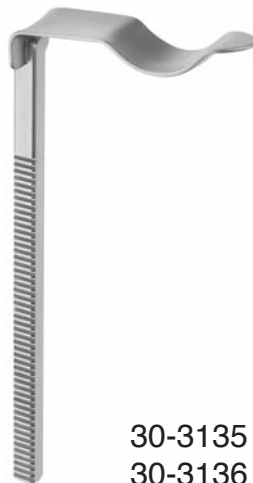
30-3116



30-3118  
30-3119  
30-3120  
30-3121  
30-3122



30-3126



30-3135  
30-3136



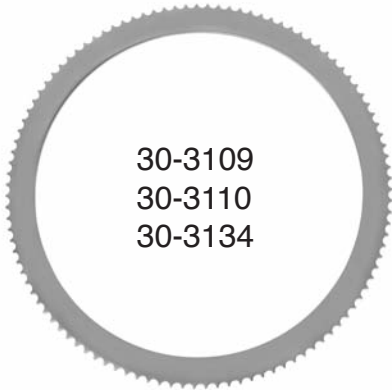
30-3127



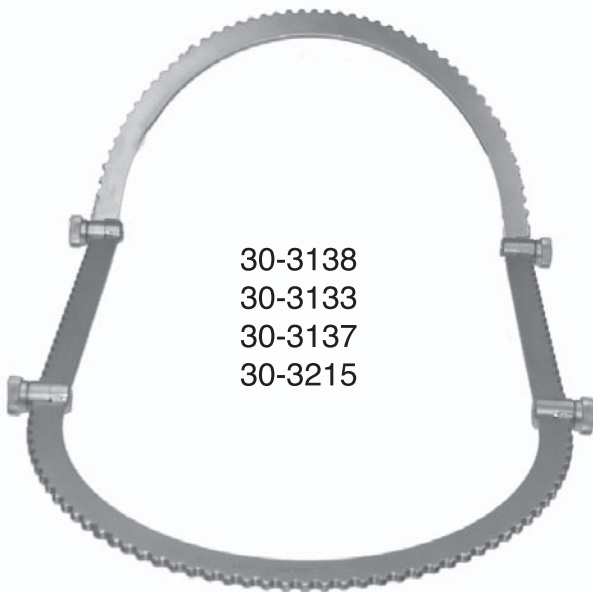
30-3111  
30-3112  
30-3117



30-3106  
30-3107  
30-3108



30-3109  
30-3110  
30-3134



30-3138  
30-3133  
30-3137  
30-3215

#### Order information:

- 30-3102 Horizontal Bar 1" (25mm)
- 30-3103 Vertical Extension Bar 1" (25mm)  
Length: 12" (305mm)
- 30-3104 Post Coupling 1" (25mm)
- 30-3129 Standard Ratched Mechanism
- 30-3130 Tilting Ratchet Mechanism
- 30-3131 Table Post 1" (25mm)
- 30-3132 Horizontal Flex Bar 360° rotation

#### Rings:

- 30-3106 Oval Ring, large 12"x18 1/2" (267x470mm)
- 30-3107 Oval Ring, medium 10"x14 1/2" (267x368mm)
- 30-3108 Oval Ring, small 8"x12 1/4" (203x311mm)
- 30-3110 Round Ring, large 12 1/2" (317mm)
- 30-3109 Round Ring, medium 10 1/2" (266mm)
- 30-3134 Round Ring, small 8 1/2" (216 mm)
- 30-3138 Segmented Ring, large 12 1/2"x19 1/2"  
(317x495mm)
- 30-3133 Segmented Ring, medium 10 1/2"x19 1/2"  
(266x495mm)
- 30-3137 Segmented Ring, small 8 1/2"x14"  
(216x356mm)
- 30-3215 Segmented Ring, spinal 8 1/2" (216mm)

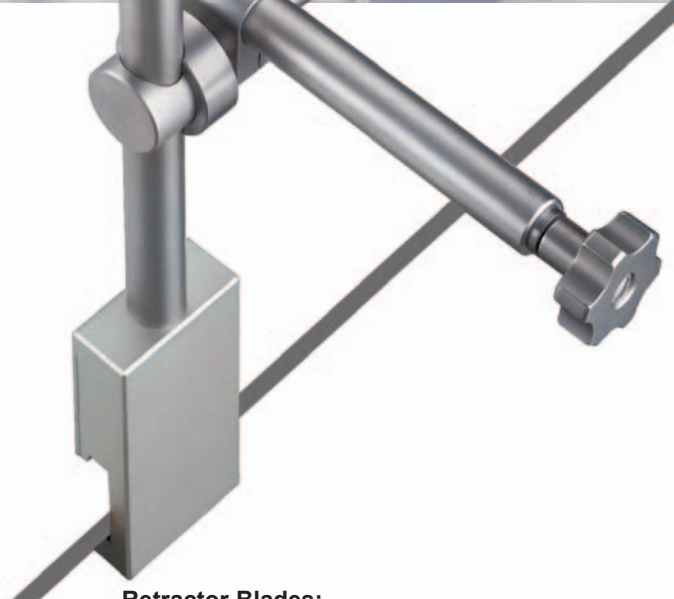
#### Retractor Blades:

- 30-3112 Malleable (Ribbon) Blade, 1 1/2" (38mm)
- 30-3111 Malleable (Ribbon) Blade, 2" (51mm)
- 30-3117 Malleable (Ribbon) Blade, 3" (76mm)
- 30-3124 Kelly Blade 1"x1 1/2" (25x38mm)
- 30-3125 Kelly Blade 1"x2 1/2" (25x63mm)
- 30-3115 Kelly Blade, 2"x1 1/2" (51x38mm)
- 30-3113 Kelly Blade, 2"x2" (51x51 mm)
- 30-3122 Kelly Blade, 2"x2 1/2" (51x63mm)
- 30-3118 Kelly Blade, 2"x3" (51x76mm)
- 30-3119 Kelly Blade, 2"x4" (51x102mm)
- 30-3120 Kelly Blade, 2"x5" (51x127mm)
- 30-3121 Kelly Blade, 2"x6" (51x152mm)
- 30-3116 Harrington Blade 2 1/2"x5 1/2" (63x143mm)
- 30-3126 Balfour Blade 2 1/2"x3" (67x76mm)
- 30-3127 Gelpi Point Blade, sharp
- 30-3135 Rectal Blade, small 3" (73mm)
- 30-3136 Rectal Blade, large 4" (98mm)
- 30-3192 Deaver Blade, small 1"x3 1/2" (25x89mm)
- 30-3193 Deaver Blade, large 1"x 5" (25x127mm)
- 30-3197 Richardson Blade 3/4"x1" (19x25mm)
- 30-3198 Richardson Blade 3/4"x2" (19x51mm)
- 30-3199 Richardson Blade 1"x1 1/4" (25x32mm)
- 30-3191 Lateral Blade 1"x3" (25x76mm)
- 30-3194 Posterior Blade 1"x4 1/2" (25x114 mm)

# The **GEISTER** Buchmeister™ table-mounted Abdominal Retractor System



- + Provides multi-directional surgical site exposure
- + Applicable in a wide variety of abdominal procedures
- + Easy to assemble
  - consisting of solid and segmented rings, two types of horizontal bars, tilt and non-tilt ratchets and a wide selection of rigid and malleable blades
- + Use can be easily expanded by adding extra accessories
  - e.g. IMA accessories or Rectal Surgery accessories
- + Traditional Side Rail Attachment
  - familiar setup procedure



## 01-1550 Buchmeister™ Abdominal Retractor - Basic Kit

Includes:

- (1) 30-3131 Table Clamp with vertical post
- (1) 30-3102 Horizontal Bar
- (1) 30-3132 Horizontal Flex Bar
- (1) 30-3104 1" Post Coupling
- (2) 30-3129 Standard Ratchet Mechanism
- (6) 30-3130 Tilt Ratchet Mechanism
- (1) 30-3107 Oval Ring, medium size
- (1) 30-3133 Segmented Ring

## Retractor Blades:

- Malleable Ribbon Blades:
- (2) 30-3111 2" (51mm)
  - (2) 30-3112 1½" (38mm)
  - (2) 30-3117 3" (76mm)

## Kelly Retractor Blades:

- (1) 30-3118 2"x3" (51x76mm)
- (1) 30-3119 2"x4" (51x102mm)
- (1) 30-3120 2"x5" (51x127mm)
- (1) 30-3121 2"x6" (51x152mm)

## Retractor Blades:

- (1) 30-3126 Balfour Blade
- (1) 30-3116 Harrington Blade
- (1) 30-3127 Gelpi Point Blade

## Optional:

77-5000 Container Set (2 boxes) for Buchmeister™ Retractor System and its accessories



The better way to operate™

Geister Medizintechnik GmbH  
 Foehrenstrasse 2  
 D-78532 Tuttlingen/Germany  
 Phone +49-(0)7461-966 240  
 Telefax +49-(0)7461-966 2422  
 E-mail: [info@geister.com](mailto:info@geister.com)  
 Internet: [www.geister.com](http://www.geister.com)

Distributor