



The better way to operate™

The Iron Assistant™
Endoscope and
Instrument Holder



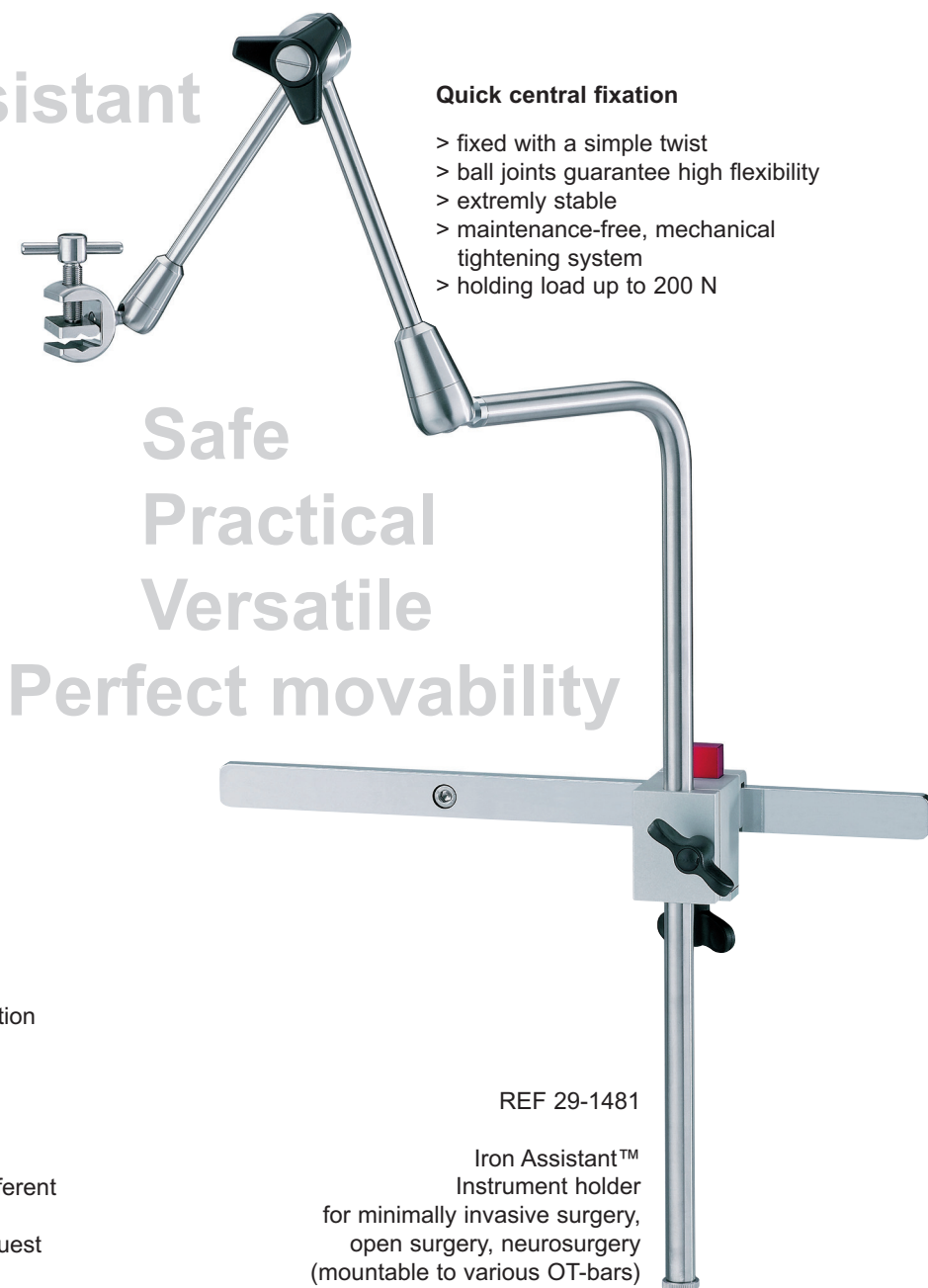
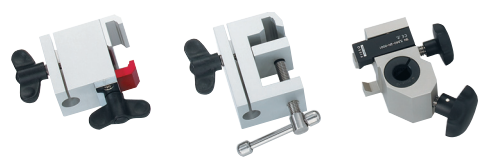
GEISTER

A mechanic assistant



REF 29-1483

Iron Assistant™ 2
Dual Instrument holder
(mountable to various
OT-bars)



Quick central fixation

- > fixed with a simple twist
- > ball joints guarantee high flexibility
- > extremely stable
- > maintenance-free, mechanical tightening system
- > holding load up to 200 N

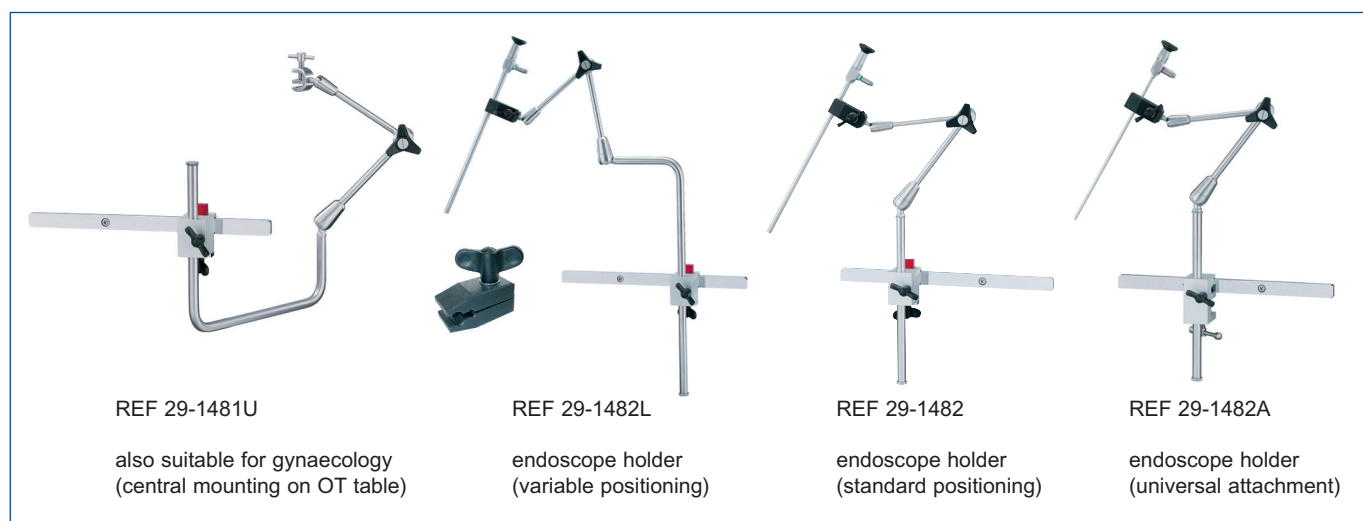
Safe
Practical
Versatile
Perfect movability

Benefits:

- > for endoscopes, instruments, retractors
- > made of stainless steel and high-quality alloy
- > the solid quality is your guarantee for a long, maintenance-free service life
- > simple operation thanks to the quick central fixation
- > exact positioning
- > extremely flexible articulated arm
- > maximum safety for the patient
- > ease the job of hospital staff
- > easy to clean and maintenance-free
- > modular design opens up possibility of many different product solutions
- > insulated version for hf-surgery available on request (add "I" behind reference number)

REF 29-1481

Iron Assistant™
Instrument holder
for minimally invasive surgery,
open surgery, neurosurgery
(mountable to various OT-bars)



REF 29-1481U

also suitable for gynaecology
(central mounting on OT table)

REF 29-1482L

endoscope holder
(variable positioning)

REF 29-1482

endoscope holder
(standard positioning)

REF 29-1482A

endoscope holder
(universal attachment)



The better way to operate™

Geister Medizintechnik GmbH
Foehrenstraße 2
D-78532 Tuttlingen/Germany
Telephone +49 (0) 74 61 - 96 62 40
Telefax +49 (0) 74 61 - 96 62 422
E-mail info@geister.com
Internet www.geister.com

Distributor