

GEISTER

GEISTER®

The better way to operate™



Spinal Retractor
Systems



29-3001



29-3109



29-3109.PK

SPINEControl™ Transverse Retractor hinged

- 29-3001 Stainless Steel, 65mm regular spread ●
- 29-3001L Stainless Steel, 110mm wide spread ●
- 29-3001.PK PEEK / Stainless Steel, 60mm spread ●
- 29-3001.TI Titanium, 65mm spread ●

SPINEControl™ Transverse Retractor double-hinged

- 29-3109 Stainless Steel, 65mm spread ●
- 29-3109.PK PEEK / Stainless Steel, 65mm spread ●



29-3013.PK



29-3100



29-3100.PK

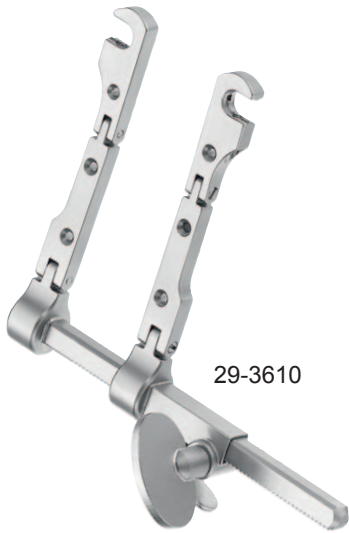
SPINEControl™ Longitudinal Retractor single-hinged, ring handle, 17.5cm

- 29-3013 Stainless Steel, 85mm spread ●
- 29-3013.PK PEEK / Stainless Steel, 70mm spread ●
- 29-3013.TI Titanium, 70mm spread ●

SPINEControl™ Longitudinal Retractor double-hinged, ring handle, 20.5cm

- 29-3100 Stainless Steel, 85mm spread ●
- 29-3100.PK PEEK / Stainless Steel, 70mm spread ●

SPINE Retractor System CONTROL™



29-3610

Attachment of quick connect blades ●

SPINEControl™ Transverse Retractor double-hinged, quick connect
29-3610 Stainless Steel, 72mm spread, side-loading ●



SPINEControl™ Quick Connect Blade Positioner Handle
29-3615 21cm, for quick connect blades ●



29-3612

SPINEControl™ Longitudinal Retractor double-hinged, ring handle, quick connect, 18.5cm
29-3612 Stainless Steel, 75mm spread, side-loading ●

SPINEControl™ Blade Changing Forceps
10-8000 11.5cm (not suitable for quick connect blades) ●●●



29-3011



SPINEControl™ Specula Retractor single-hinged, 11.5cm
29-3011 Stainless Steel, 70mm regular spread
29-3011.PK PEEK / Stainless Steel, 70mm spread
29-3011.TI Titanium, 70mm spread

SPINEControl™ Specula Retractor single-hinged, quick connect, 11.5cm (not illustrated)
29-3614 Stainless Steel, 70mm spread, side-loading ●



**Medial Toothed Blades
Stainless Steel**

- 29-3002.35 - 23x35mm
- 29-3002.40 - 23x40mm
- 29-3002.45 - 23x45mm
- 29-3002.50 - 23x50mm
- 29-3002.55 - 23x55mm
- 29-3002.60 - 23x60mm
- 29-3002.65 - 23x65mm
- 29-3002.70 - 23x70mm



**Lateral Serrated Blades
Stainless Steel**

- 29-3003.40 - 23x40mm
- 29-3003.45 - 23x45mm
- 29-3003.50 - 23x50mm
- 29-3003.55 - 23x55mm
- 29-3003.60 - 23x60mm
- 29-3003.65 - 23x65mm
- 29-3003.70 - 23x70mm



**Blunt Blades
Stainless Steel**

- 29-3012.35 - 23x35mm
- 29-3012.40 - 23x40mm
- 29-3012.45 - 23x45mm
- 29-3012.50 - 23x50mm
- 29-3012.55 - 23x55mm
- 29-3012.60 - 23x60mm
- 29-3012.65 - 23x65mm
- 29-3012.70 - 23x70mm
- 29-3012.75 - 23x75mm



**Small Lateral Blades
Stainless Steel**

- 29-3004.40 - 15x40mm
- 29-3004.45 - 15x45mm
- 29-3004.50 - 15x50mm
- 29-3004.55 - 15x55mm
- 29-3004.60 - 15x60mm



**Medial Toothed Blades
PEEK**

- 29-3032.40 - 23x40mm
- 29-3032.45 - 23x45mm
- 29-3032.50 - 23x50mm
- 29-3032.55 - 23x55mm
- 29-3032.60 - 23x60mm
- 29-3032.65 - 23x65mm
- 29-3032.75 - 23x75mm



**Lateral Serrated Blades
PEEK**

- 29-3030.40 - 23x40mm
- 29-3030.45 - 23x45mm
- 29-3030.50 - 23x50mm
- 29-3030.55 - 23x55mm
- 29-3030.60 - 23x60mm
- 29-3030.65 - 23x65mm
- 29-3030.75 - 23x75mm



**Cervical Blades
Stainless Steel - fenestrated**

- 29-3014.50 - 25x50mm
- 29-3014.60 - 25x60mm



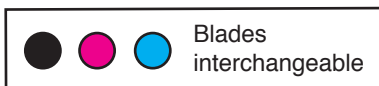
**Lateral Serrated Blades
PEEK - rotatating**

- 29-3031.40 - 23x40mm
- 29-3031.45 - 23x45mm
- 29-3031.50 - 23x50mm
- 29-3031.55 - 23x55mm
- 29-3031.60 - 23x60mm
- 29-3031.65 - 23x65mm
- 29-3031.75 - 23x75mm



**Blunt Blades
PEEK**

- 29-3033.40 - 23x40mm
- 29-3033.45 - 23x45mm
- 29-3033.50 - 23x50mm
- 29-3033.55 - 23x55mm
- 29-3033.60 - 23x60mm
- 29-3033.65 - 23x65mm
- 29-3033.75 - 23x75mm



**Blunt Blades
PEEK - rotatating**

- 29-3034.40 - 23x40mm
- 29-3034.45 - 23x45mm
- 29-3034.50 - 23x50mm
- 29-3034.55 - 23x55mm
- 29-3034.60 - 23x60mm
- 29-3034.65 - 23x65mm
- 29-3034.75 - 23x75mm



**Medial Toothed Blades
Aluminium - rotatating**

- 29-3114.40 - 23x40mm
- 29-3114.45 - 23x45mm
- 29-3114.50 - 23x50mm
- 29-3114.55 - 23x55mm
- 29-3114.60 - 23x60mm



**Lateral Serrated Blades
Aluminium - rotatating**

- 29-3112.40 - 23x40mm
- 29-3112.45 - 23x45mm
- 29-3112.50 - 23x50mm
- 29-3112.55 - 23x55mm
- 29-3112.60 - 23x60mm



**Blunt Blades
Aluminium - rotatating**

- 29-3110.45 - 23x45mm
- 29-3110.50 - 23x50mm
- 29-3110.55 - 23x55mm
- 29-3110.60 - 23x60mm
- 29-3110.65 - 23x65mm



GEISTER

BLADES

SPINE Retractor System

CONTROL™



Medial Toothed Blades Titanium

29-3005.40 - 20x40mm
29-3005.45 - 20x45mm
29-3005.50 - 20x50mm
29-3005.55 - 20x55mm
29-3005.60 - 20x60mm
29-3005.65 - 20x65mm
29-3005.70 - 20x70mm
29-3005.75 - 20x75mm



Lateral Serrated Blades Titanium

29-3006.25 - 20x25mm
29-3006.30 - 20x30mm
29-3006.35 - 20x35mm
29-3006.40 - 20x40mm
29-3006.45 - 20x45mm
29-3006.50 - 20x50mm
29-3006.55 - 20x55mm
29-3006.60 - 20x60mm
29-3006.65 - 20x65mm
29-3006.70 - 20x70mm
29-3006.75 - 20x75mm



Blunt Blades Titanium

29-3015.30 - 20x30mm
29-3015.35 - 20x35mm
29-3015.40 - 20x40mm
29-3015.45 - 20x45mm
29-3015.50 - 20x50mm
29-3015.55 - 20x55mm
29-3015.60 - 20x60mm
29-3015.65 - 20x65mm
29-3015.70 - 20x70mm
29-3015.75 - 20x75mm



Medial Toothed Blades Titanium - fenestrated

29-3016.35 - 20x35mm
29-3016.40 - 20x40mm
29-3016.45 - 20x45mm
29-3016.50 - 20x50mm
29-3016.55 - 20x55mm
29-3016.60 - 20x60mm
29-3016.65 - 20x65mm
29-3016.70 - 20x70mm



Lateral Serrated Blades Titanium - fenestrated

29-3017.25 - 20x25mm
29-3017.30 - 20x30mm
29-3017.35 - 20x35mm
29-3017.40 - 20x40mm
29-3017.45 - 20x45mm
29-3017.50 - 20x50mm
29-3017.55 - 20x55mm
29-3017.60 - 20x60mm
29-3017.65 - 20x65mm
29-3017.70 - 20x70mm



Blunt Blades Titanium - fenestrated

29-3018.35 - 20x35mm
29-3018.40 - 20x40mm
29-3018.45 - 20x45mm
29-3018.50 - 20x50mm
29-3018.55 - 20x55mm
29-3018.60 - 20x60mm
29-3018.65 - 20x65mm
29-3018.70 - 20x70mm
29-3018.75 - 20x75mm



Medial Toothed Blades Stainless Steel - quick connect -

29-3616.40 - 23x40mm
29-3616.45 - 23x45mm
29-3616.50 - 23x50mm
29-3616.55 - 23x55mm
29-3616.60 - 23x60mm



Lateral Serrated Blades Stainless Steel - quick connect -

29-3617.40 - 23x40mm
29-3617.45 - 23x45mm
29-3617.50 - 23x50mm
29-3617.55 - 23x55mm
29-3617.60 - 23x60mm



Blunt Blades Stainless Steel - quick connect -

29-3618.45 - 23x45mm
29-3618.50 - 23x50mm
29-3618.55 - 23x55mm
29-3618.60 - 23x60mm
29-3618.65 - 23x65mm



Medial Toothed Blades Titanium - quick connect -

29-3619.40 - 20x40mm
29-3619.45 - 20x45mm
29-3619.50 - 20x50mm
29-3619.55 - 20x55mm
29-3619.60 - 20x60mm



Lateral Serrated Blades Titanium - quick connect -

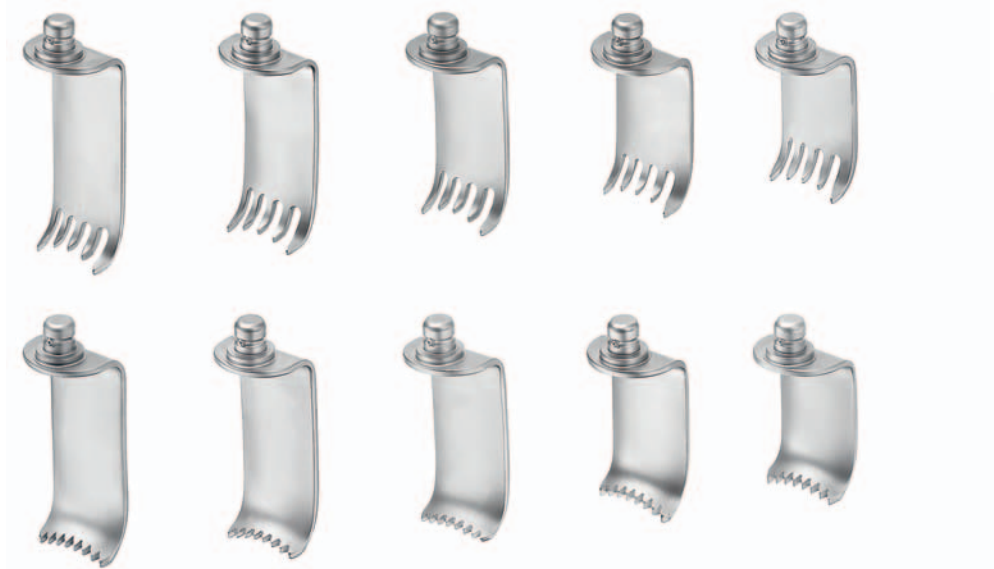
29-3620.40 - 20x40mm
29-3620.45 - 20x45mm
29-3620.50 - 20x50mm
29-3620.55 - 20x55mm
29-3620.60 - 20x60mm



Blunt Blades Titanium - quick connect -

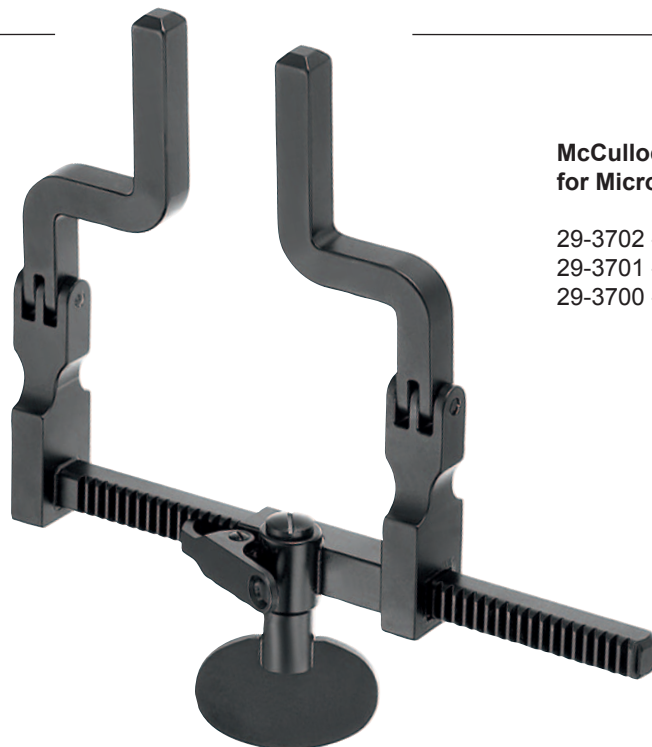
29-3621.45 - 20x45mm
29-3621.50 - 20x50mm
29-3621.55 - 20x55mm
29-3621.60 - 20x60mm
29-3621.65 - 20x65mm





29-3000 Caspar-type Cervical Spine Retractor ●
 stainless steel, complete set for transverse retraction,
 65mm spread, adjustable, with 5 medial and 5 lateral
 stainless steel, blades 40/45/50/55/60mm

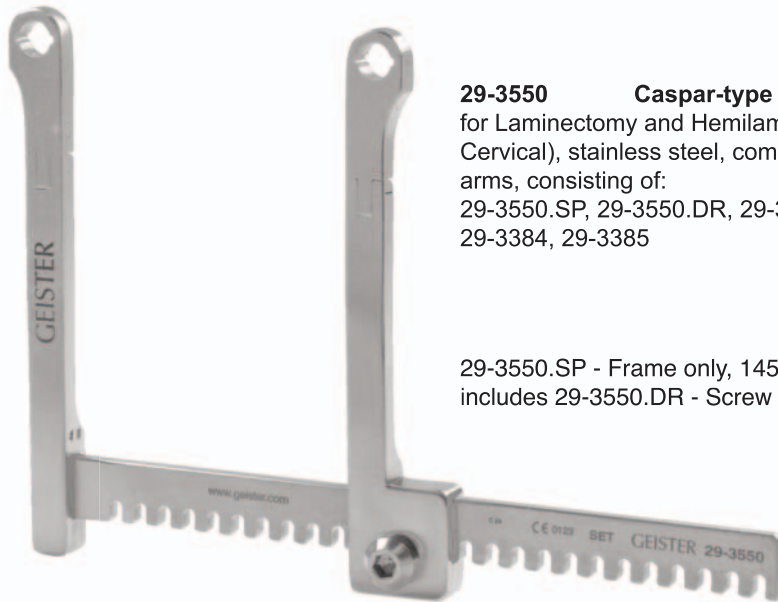
29-3000.TI Caspar-type Cervical Spine Retractor ●
 titanium, complete set for transverse retraction, 65mm
 spread, adjustable, with 5 medial and 5 lateral
 titanium blades 40/45/50/55/60mm



**McCulloch Lumbar Spine Retractor
 for Microdiscectomy, black silicone bead**

29-3702 - Frame only, 68mm spread, hinged
 29-3701 - Frame only, 68mm spread, rigid
 29-3700 - Frame only, 90mm spread, rigid

29-3702



29-3550 Caspar-type Vertebral Column Retractor
for Laminectomy and Hemilaminectomy (Lumbar, Thoracic, Cervical), stainless steel, complete set, 145mm spread, 125mm arms, consisting of:
29-3550.SP, 29-3550.DR, 29-3552, 29-3381, 29-3382, 29-3383, 29-3384, 29-3385

29-3550.SP - Frame only, 145mm spread, hinged
includes 29-3550.DR - Screw Driver for spreading bar



29-3552 - 38mm
29-3551 - 58mm



29-3380 - 22x32mm
29-3381 - 22x37mm
29-3382 - 22x43mm
29-3383 - 22x47mm
29-3384 - 22x52mm
29-3385 - 22x57mm
29-3386 - 22x62mm
29-3387 - 22x67mm



29-3360 - 37x32mm
29-3361 - 37x37mm
29-3362 - 37x43mm
29-3363 - 37x47mm
29-3364 - 37x52mm
29-3365 - 37x57mm
29-3366 - 37x62mm
29-3367 - 37x67mm



29-3370 - 52x32mm
29-3371 - 52x37mm
29-3372 - 52x43mm
29-3373 - 52x47mm
29-3374 - 52x52mm
29-3375 - 52x57mm
29-3376 - 52x62mm
29-3377 - 52x67mm



**McCulloch 4-teeth
Narrow Muscle Blades**
29-3705.30 - 20x30mm
29-3705.40 - 20x40mm
29-3705.50 - 20x50mm
29-3705.60 - 20x60mm
29-3705.70 - 20x70mm
29-3705.80 - 20x80mm



**McCulloch 6-teeth
Wide Muscle Blades**
29-3706.30 - 27x30mm
29-3706.40 - 27x40mm
29-3706.50 - 27x50mm
29-3706.60 - 27x60mm
29-3706.70 - 27x70mm
29-3706.80 - 27x80mm



**McCulloch 2-teeth
Thin Muscle Blades**
29-3710.30 - 17x30mm
29-3710.40 - 17x40mm
29-3710.50 - 17x50mm
29-3710.60 - 17x60mm
29-3710.70 - 17x70mm
29-3710.80 - 17x80mm
29-3710.90 - 17x90mm



**McCulloch
Hook Blades**
29-3707.20 - 20mm
29-3707.30 - 30mm
29-3707.40 - 40mm
29-3707.50 - 50mm
29-3707.60 - 60mm
29-3707.70 - 70mm
29-3707.80 - 80mm



**McCulloch
Toothed Hook Blades**
29-3708.20 - 20mm
29-3708.30 - 30mm
29-3708.40 - 40mm
29-3708.50 - 50mm
29-3708.60 - 60mm
29-3708.70 - 70mm
29-3708.80 - 80mm



**McCulloch 2-teeth
Cervical Blades**
29-3709.50 - 20x50mm
29-3709.60 - 20x60mm
29-3709.70 - 20x70mm

Paraspinal

Lateral



Caspar-type Microdiscectomy Retractor
for microsurgical treatment of herniated lumbar discs
stainless steel, 45mm spread

29-3520 - Frame only, hinged, ends black,
29-3520K - Frame only, hinged, completely black



Lateral Blades

- 29-3522 - 35mm
- 29-3524 - 40mm
- 29-3526 - 45mm
- 29-3528 - 50mm
- 29-3530 - 55mm
- 29-3532 - 60mm
- 29-3534 - 65mm
- 29-3538 - 75mm
- 29-3542 - 85mm



Paraspinal Blades

- 29-3521 - 40mm
- 29-3523 - 45mm
- 29-3525 - 50mm
- 29-3527 - 55mm
- 29-3529 - 60mm
- 29-3531 - 65mm
- 29-3533 - 70mm



**Lumbar Speculum
fenestrated**

- 29-3500 - 40mm
- 29-3502 - 45mm
- 29-3504 - 50mm
- 29-3506 - 55mm
- 29-3508 - 60mm
- 29-3510 - 65mm
- 29-3511 - 70mm
- 29-3512 - 75mm
- 29-3513 - 80mm
- 29-3514 - 85mm