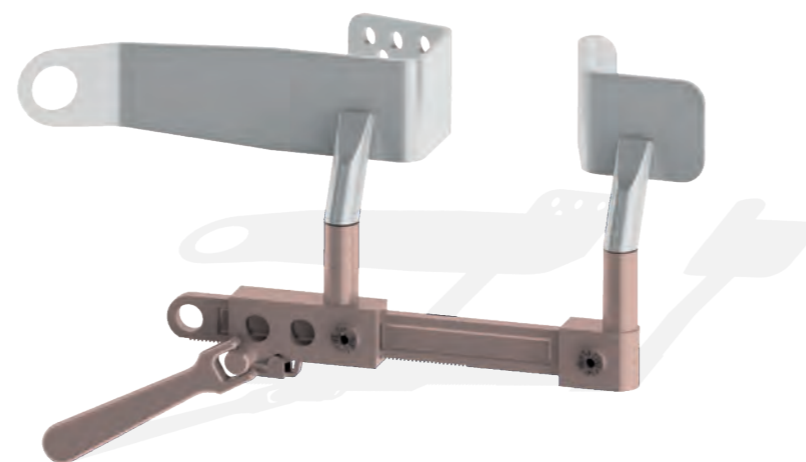


IMAgate™
A totally modular Cardiac Surgery System specifically designed for MIDCAB, TAVI, MICS CABG and MICS Valve procedures. An integrated system concept with quick interchangeable blades allows easy adjustment to the anatomy of the patient or to specific procedures.



Combination 1

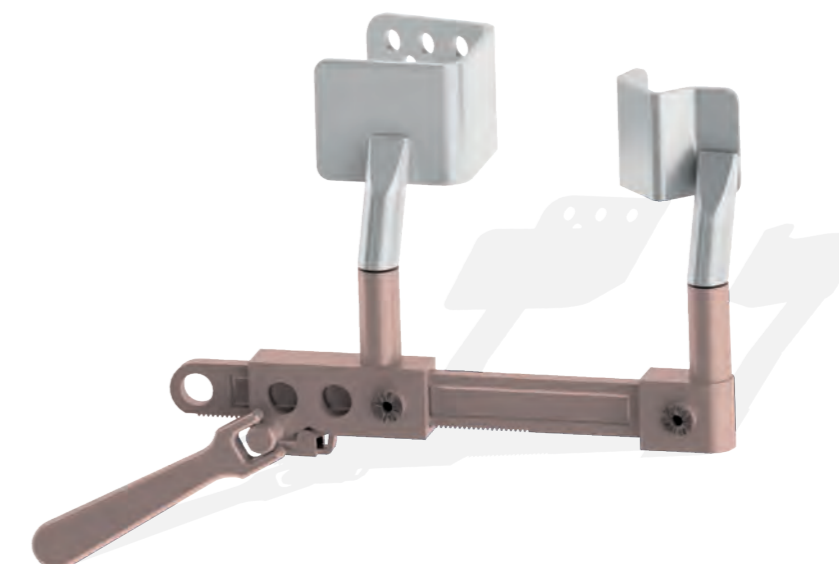
MIDCAB / IMA Lifting Retractor with wire pull support

29-1180 + 29-1182 + 29-1191 + 29-1175

Provides access and visualization for IMA takedown with additional lift and support by a wire pull



29-1175

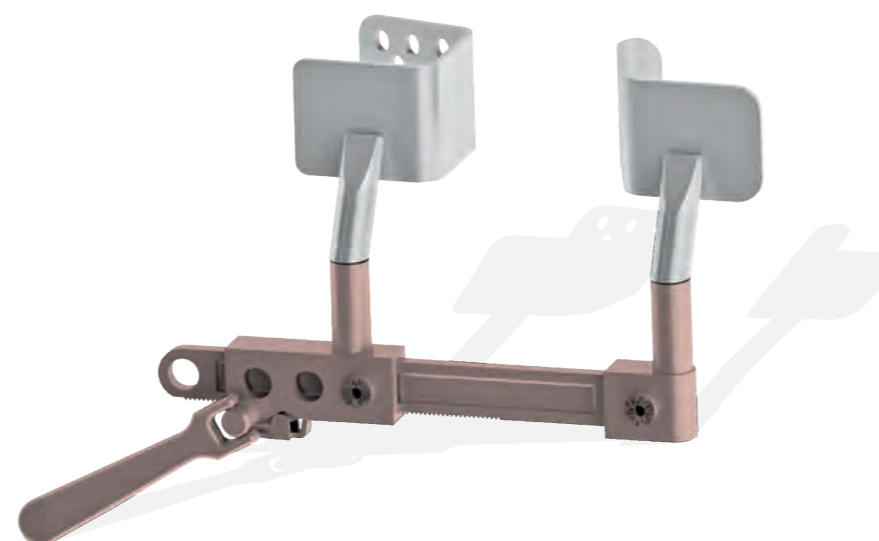


Combination 2

MIDCAB / IMA Lifting Retractor

29-1180 + 29-1183 + 29-1192

Provides access and visualization for IMA takedown

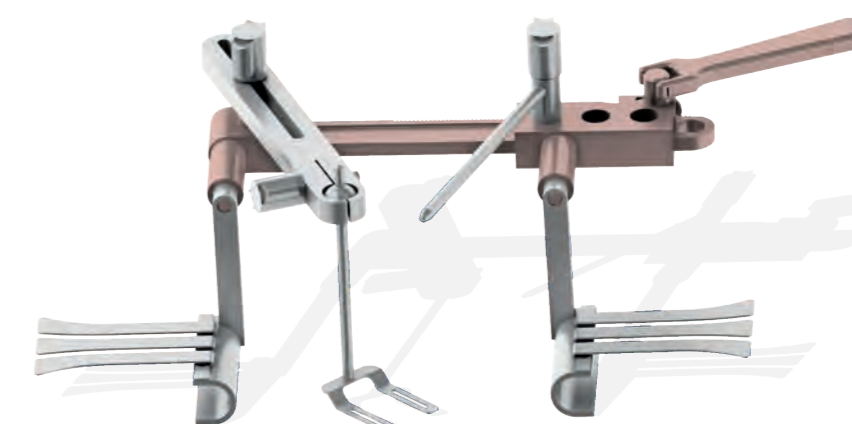


Combination 3

MIDCAB / IMA Lifting Retractor

29-1180 + 29-1183 + 29-1191

Provides access and visualization for IMA takedown

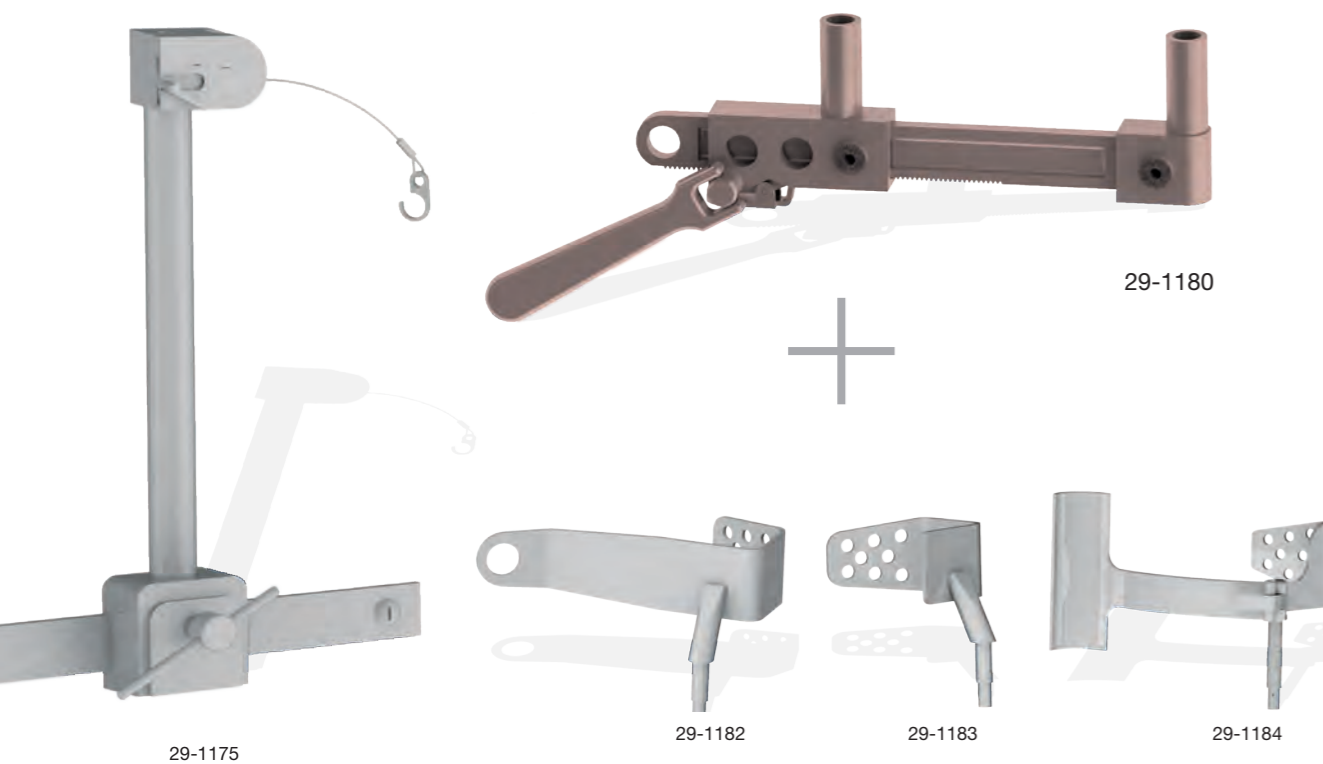


Combination 4

MIDCAB Revascularization Retractor with soft tissue depressor wings

29-1180 + 29-1193 + 29-1194 + (29-1195) + 29-1196

Provides a secure base for attachment of stabilizers and gives access and direct visualization while grafting on the beating heart



Combination 5

MICS Thoracotomy Retractor

29-1180 + 29-1186 + 29-1185

A compact Thoracotomy retractor, e.g. for MICS Valve surgery

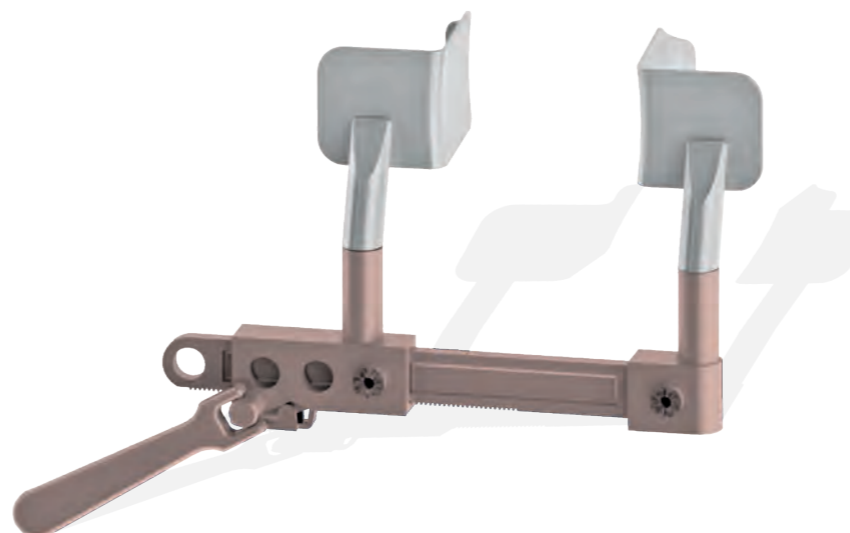
29-1180

29-1175

29-1182

29-1183

29-1184

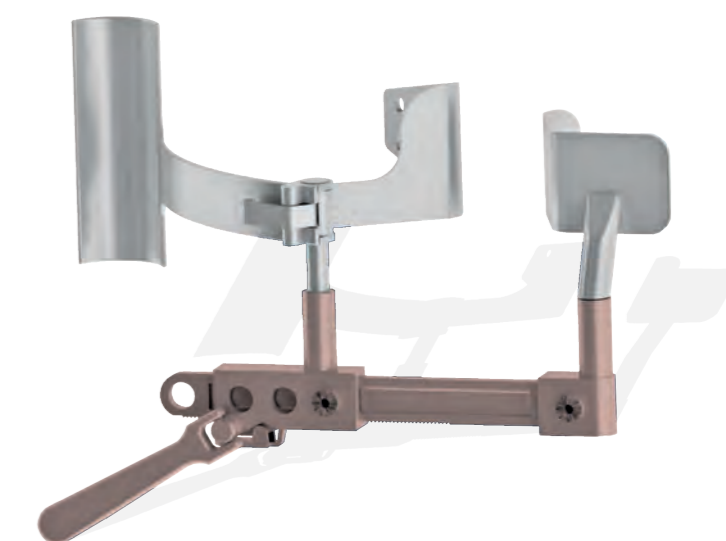


Combination 6

MIDCAB / IMA Lifting Retractor

29-1180 + 29-1191 + 29-1184

Provides access and visualization for IMA takedown



Combination 7

MICS Thoracotomy Retractor with anatomic curved blades, e.g. for MICS Valve surgery

29-1180 + 29-1186 + 29-1187

A compact Thoracotomy retractor, e.g. for MICS Valve surgery

29-1185

29-1186

29-1187

29-1191

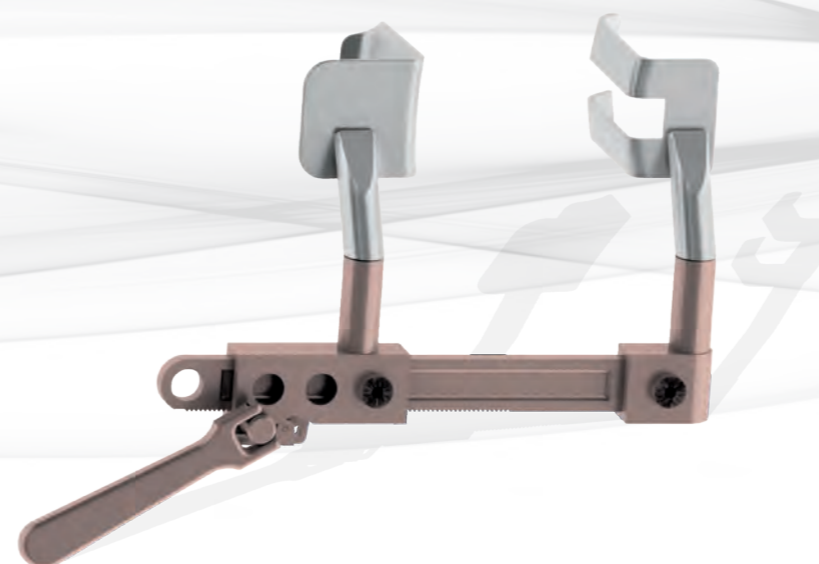
29-1192

29-1193

29-1194

29-1195

29-1196

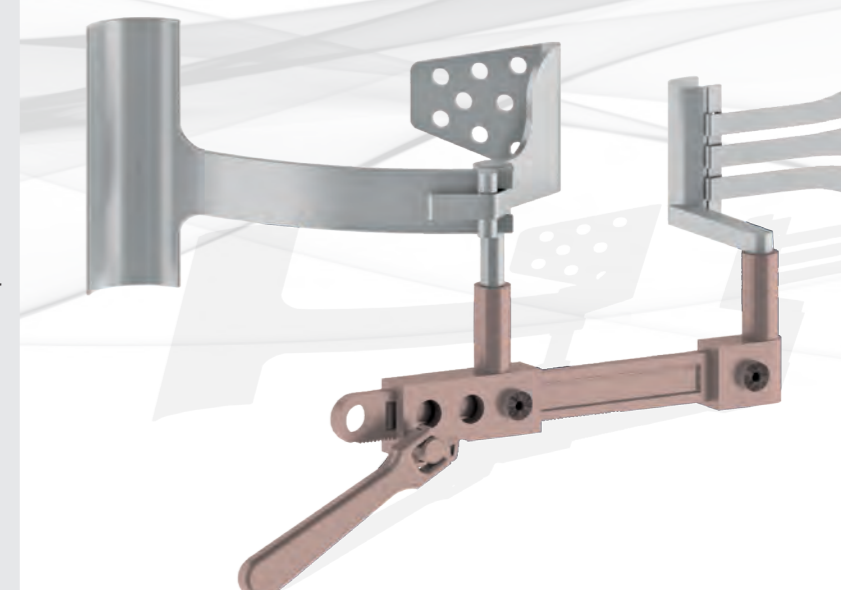


Combination 8

MIDCAB / IMA Lifting Retractor with wire pull support

29-1180 + 29-1194 + 29-1184 + 29-1175

Provides access and visualization for IMA takedown with soft tissue depressor wings + 29-1180





The better way to operate™

GEISTER Medizintechnik GmbH

Föhrenstrasse 2 | D-78532 Tuttlingen | Germany

☎ +49 7461/966240 | 📠 +49 7461/9662422 | info@geister.com

www.geister.com