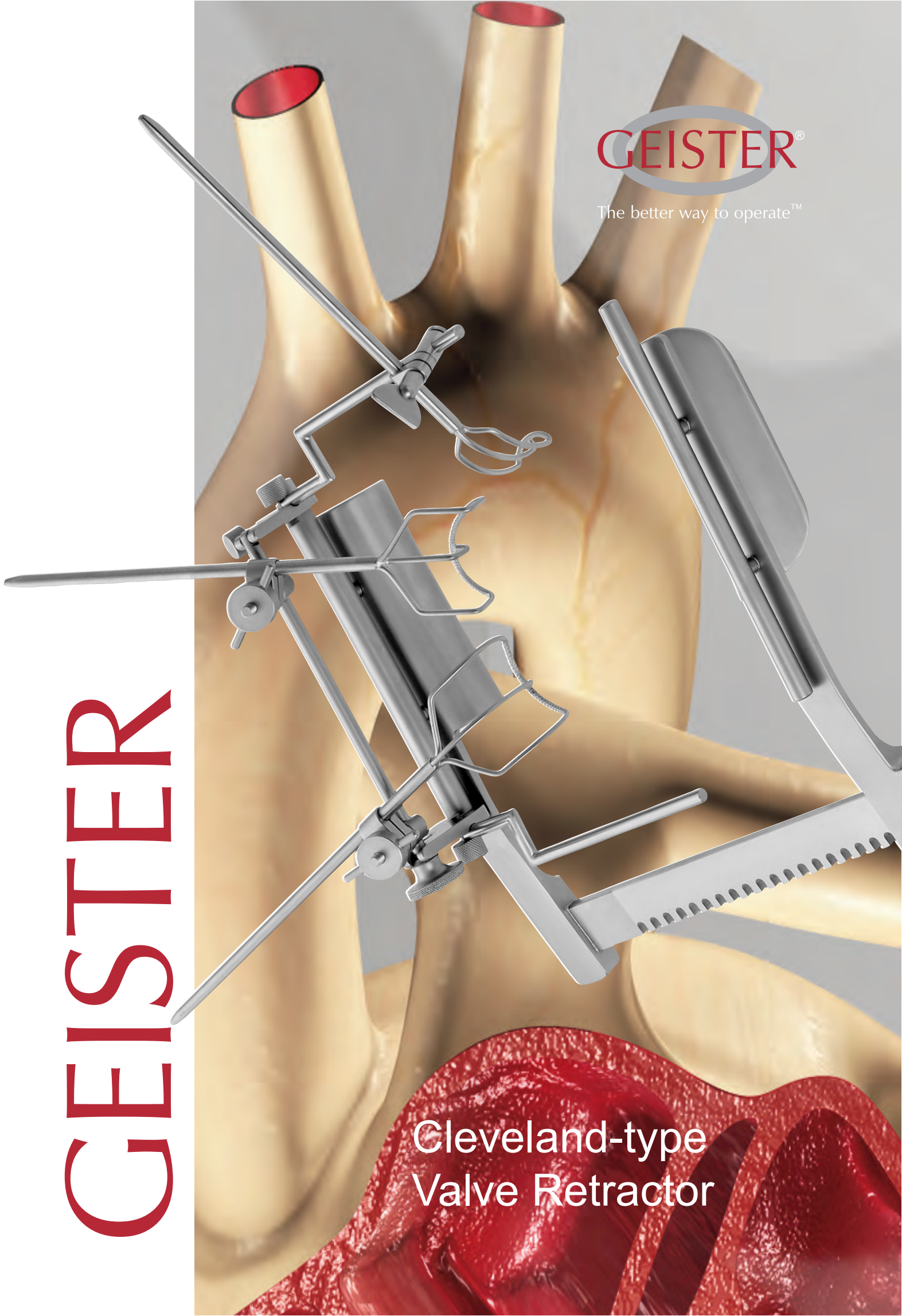


GEISTER

GEISTER®

The better way to operate™

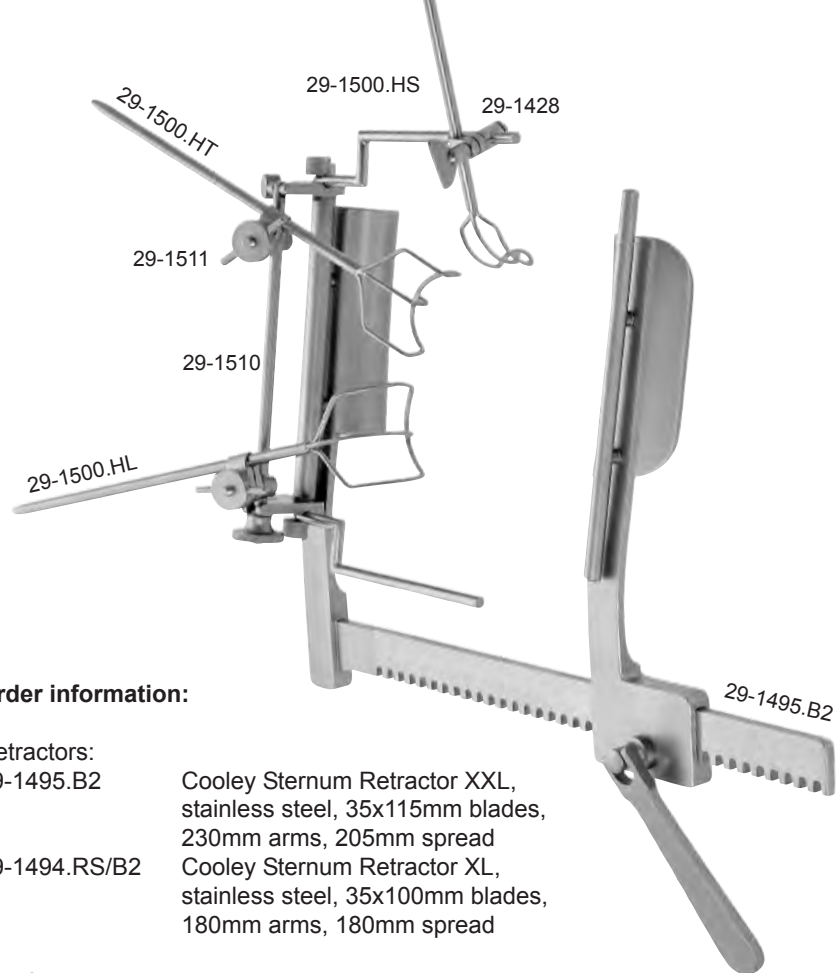
Cleveland-type
Valve Retractor



Valve Exposure

This valve surgery retractor provides excellent exposure of right and left atrium and mitral valve. It also provides for better operative field visualization.

The atrial retractor blades in multiple sizes are universally adjustable and quickly detachable. They are self-retaining with 6mm metric rods and require placement only during the intracardiac part of the procedure. The system can either be mounted on a XXL or a XL Cooley Sternum Retractor.



Order information:

Retractors:

29-1495.B2

Cooley Sternum Retractor XXL, stainless steel, 35x115mm blades,

230mm arms, 205mm spread

29-1494.RS/B2

Cooley Sternum Retractor XL, stainless steel, 35x100mm blades,

180mm arms, 180mm spread

Fixations:

29-1510**

Special Valve Retractor Attachment with 2 side extensions

29-1428

Fixation Clamp, slim, 6mm

29-1500.FC

Fixation Clamp, 6mm

29-1511

Heavy Fixation Clamp, 6mm



29-1428



29-1500.FC



29-1511

Atrial Retractors:

29-1500.HS

Cooley Atrial Retractor small 20mm, 6mm rod

29-1500.HM

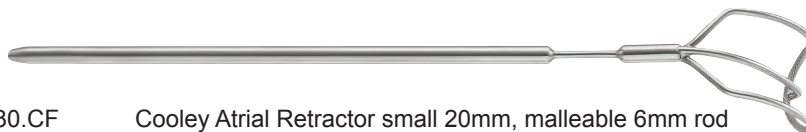
Cooley Atrial Retractor medium 35mm, 6mm rod

29-1500.HL

Cooley Atrial Retractor large 45mm, 6mm rod

29-1500.HT

Cooley Atrial Retractor tricuspid 45mm, 6mm rod



29-1430.CF

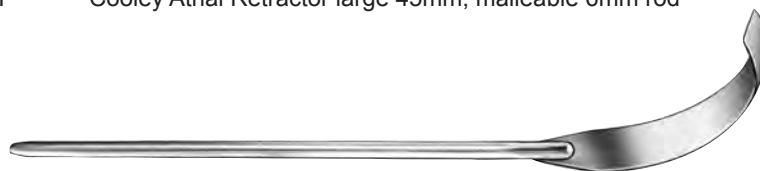
Cooley Atrial Retractor small 20mm, malleable 6mm rod

29-1431.CF

Cooley Atrial Retractor medium 35mm, malleable 6mm rod

29-1432.CF

Cooley Atrial Retractor large 45mm, malleable 6mm rod



29-1500.BH

Malleable Atrial Retractor 20mm, 6mm rod

GEISTER®

The better way to operate™

Geister Medizintechnik GmbH
 Foehrenstraße 2
 D-78532 Tuttlingen/Germany
 Phone +49-(0)74 61-96 62 40
 Telefax +49-(0)74 61-96 62 422
 E-mail: info@geister.com
 Internet: www.geister.com

Distributor